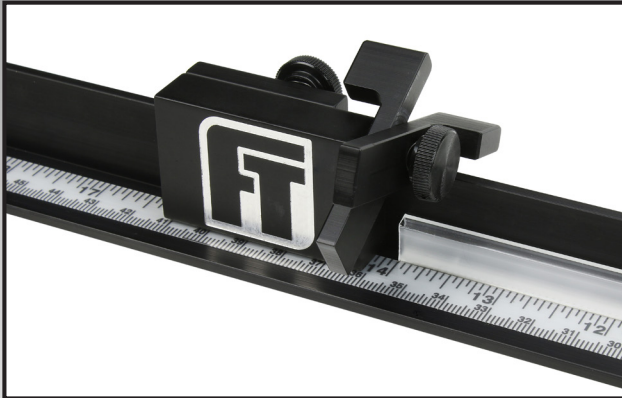


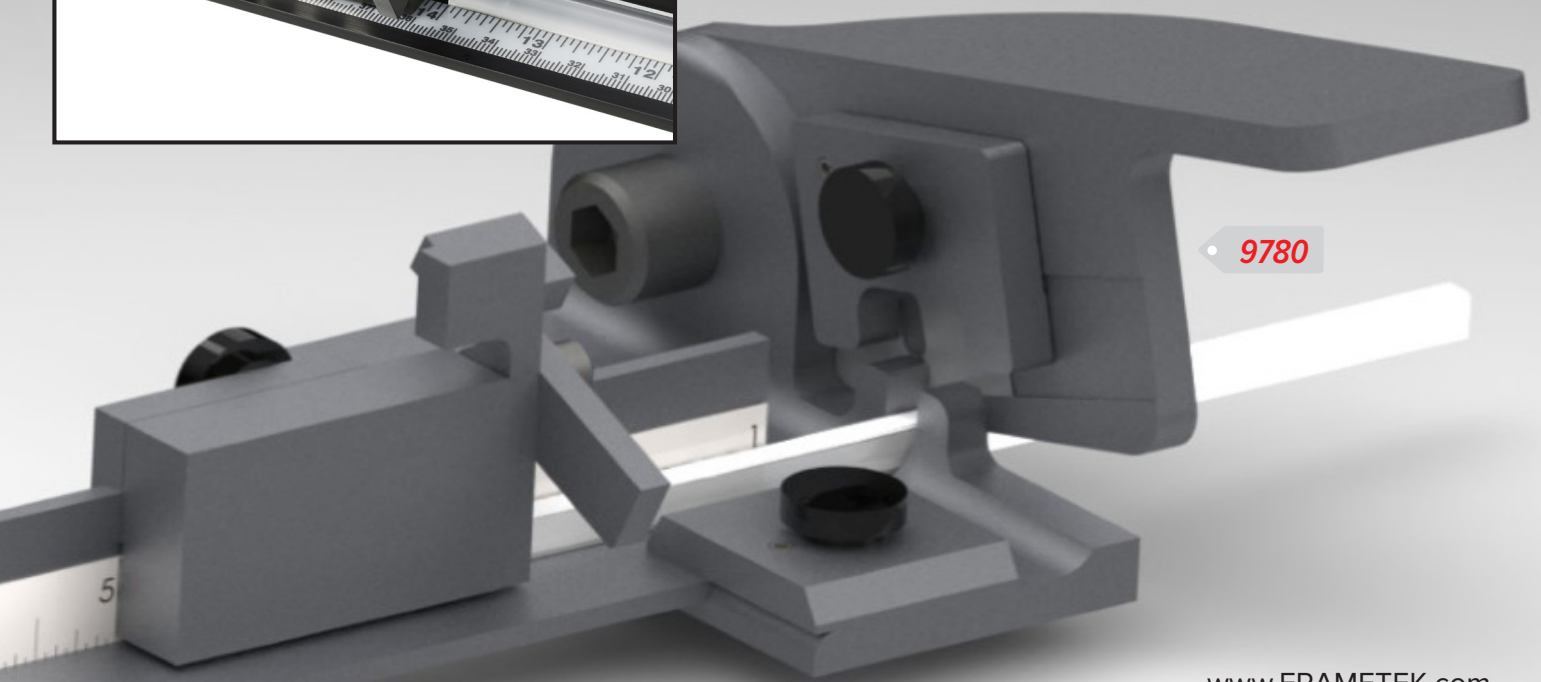
EconoChopper

PUB106 V.2
01/2021

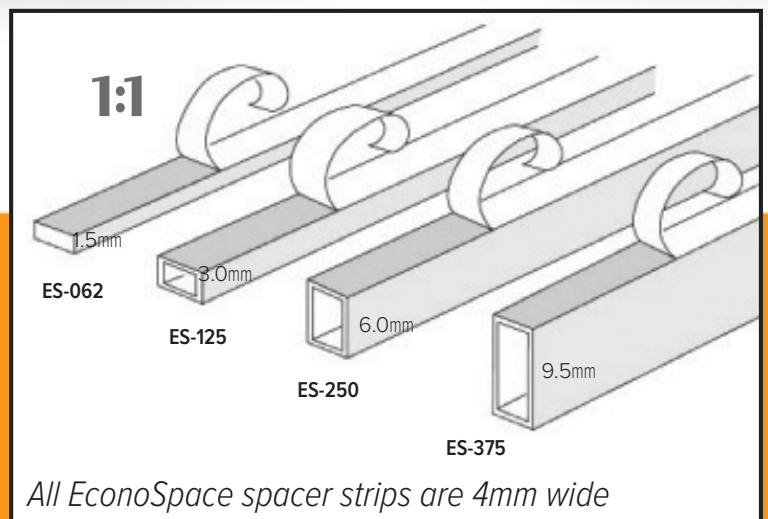
 By FrameTek, Inc



Special feature on sliding stop allows quick cutting of full length, one width short and two widths short



www.FRAMETEK.com

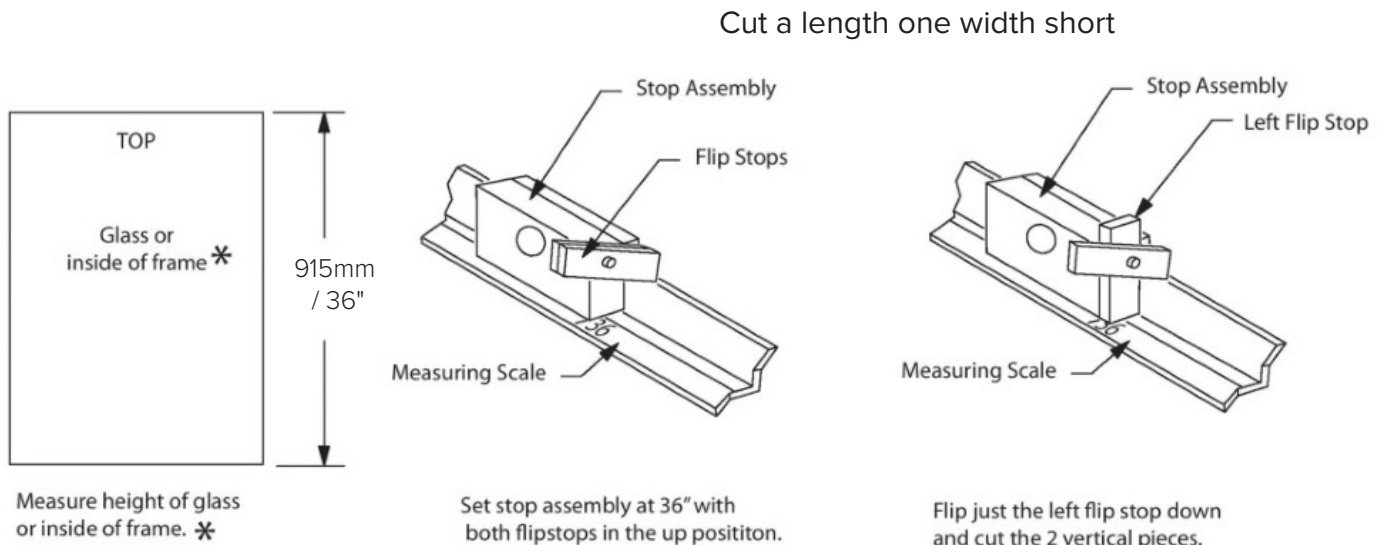
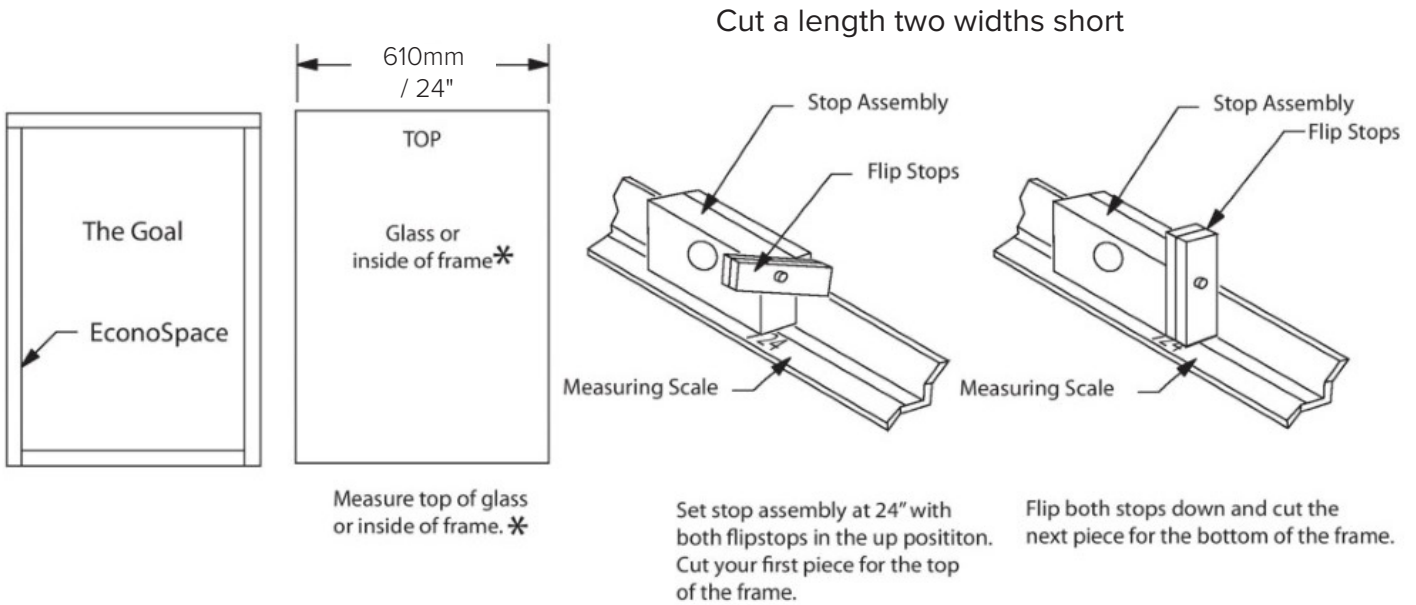


- Makes chopping EconoSpace fast, accurate and reliable
- Easy to read 1520mm / 60" ruler with adjustable sliding stop
- Uses Lion 6065 blades, 39 x 17mm
- Designed for professional framers
- Made in the USA by FrameTek



EconoChopper[®]

9780



* If your glass just fits inside the frame, cut the EconoSpace the same size as the glass and attach it flush with the edge of the glass.

If your frame is larger than the glass then cut the EconoSpace to just fit inside the frame and centre the glass in the frame with the EconoSpace.

